

QUICK INSTALLATION GUIDE

2011-2014 Dodge Charger Sequential Tail Light Kit Generation V2

Please check if you received all items:



1x
Driver Side PCB



1x
Passenger Side PCB



2x
Wire harness to car

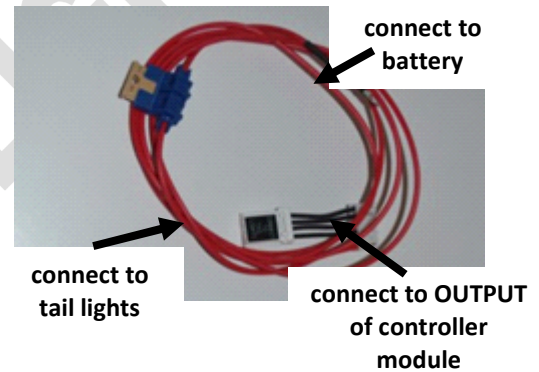
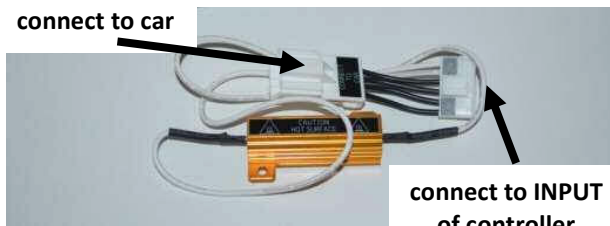


2x
Wire harness to lights



2x
Controller module

1. Remove the tail lights from your car
2. Open the taillights carefully using a flathead screwdriver (take your time)
There is a video on our Facebook site
3. Remove the stock PCBs by unscrewing the 3 bolts fixing the stock PCB in place
4. Put the new PCBs in and fix them with the 3 screws
5. Use some adhesive and glue the 2 pieces of the taillights back together
Using some shrink wrap might be help to seal them perfectly
6. Wait until the adhesive is cured
7. Put the taillights back in your car
8. The following steps you have to do on both sides of your car



- a. Connect the "wire harness to car (with big gold resistor)" to your stock tail light connector from the car
- b. Connect the "wire harness to lights (with red wire)" to the tail lights
- c. Connect the red wire of the "wire harness to lights" to the positive terminal of your battery
- d. Connect the controller module to the new wire harnesses
- e. Remove the double sided tape on the back of the gold resistor and put it somewhere in your trunk away from any carpet (CAUTION: RESISTOR CAN GET HOT)
- f. Set the switches on the controller module to your choice

SWITCH 1	Sequential Light Speed		
	ON = slow	OFF = fast	
SWITCH 2	Sequential BRAKE Light		
	ON = sequential	OFF = stock	
	STEP SELECTION		
	STEPS	SWITCH 3	SWITCH 4
	2	OFF	OFF
	3	OFF	ON
	4	ON	OFF
7	ON	ON	

9. Enjoy your new lights

In case of any problems please feel free to contact us at service@custom-lights.net / michael@custom-lights.net

If you want to send us a video of your install or the final installation please send it to youtube@custom-lights.net